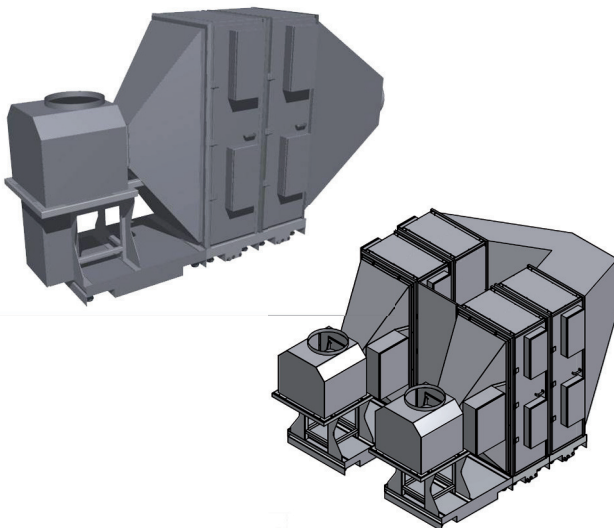


LTA - your competent partner for complete applications in the field of air cleaning

Suction of release agent vapours at warm-forming-presses

Your advantages

- Only 35min. downtime / day by automatic offline-cleaning-cycle
- Enormous cost-saving, the polluted oil will be cleaned and further used for next cleaning
- Minimum maintenance costs due to unlimited usability of the used cleaning-oil
- No financial expenses for the disposal of the water as at conventional wet-washers
- Lower personnel costs due to little use of maintenance staff



- Very high separation ratio owing to the electrostatic LTA-filter
- Optimal price-performance ratio
- Reduction of the running- and energy costs owing to newest technologies and innovations
- By better air-quality raise of the employee-satisfaction and reduction of the risk of respiratory tract diseases which lead to less sick days
- Filterdevice with accessory, spray-device for online-cleaning, cleaning-device, piping + exhaust air piping, mounting and putting into operation => all from 1 hand

Our competence- and technology-center in the Black Forest/Germany

LTA Lufttechnik GmbH
Junkerstraße 2
77787 Nordrach
Germany

Phone: +49 (0)7838 84-245
Fax: +49 (0)7838 84-308
E-Mail: info@lta.de
www.lta.de

